

## Submittal Data: PTAC-WIRED CONTROLLER

|              |          |  |
|--------------|----------|--|
| Job Name     | Location | Date   |
| Purchaser    | Engineer |  |
| Submitted To | For      | <input type="checkbox"/> Reference <input type="checkbox"/> Approval <input type="checkbox"/> Construction |
| Schedule No. |          |  |

### GENERAL FEATURES

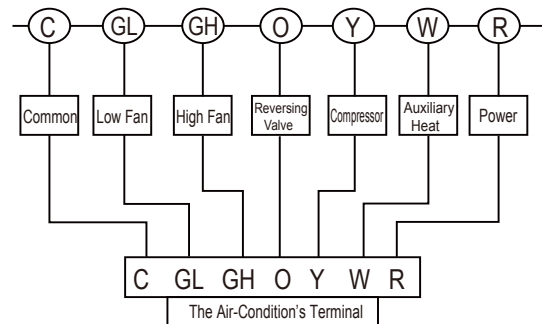
- Big LCD back light display
- Cool and heat setting
- Display room temperature and set temperature
- Cooling, heating and fan modes optional
- High, medium and low speed



### Specifications & Parameters

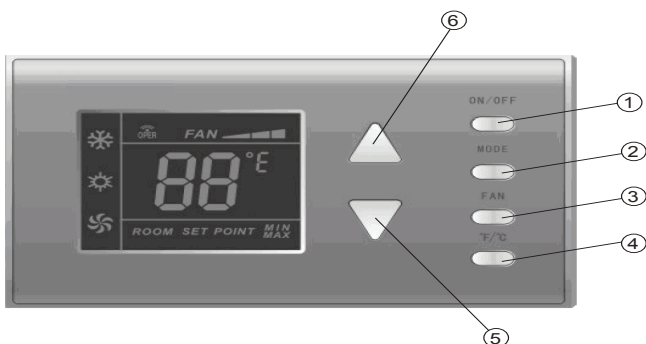
- Power: 24+/-10%VAC 50-60Hz (Max 27 Volts)
- Current: single-channel maximum 15mA, total load maximum 150mA
- Temperature adjusting range: 61 to 86 (16 to 30 )
- Adjustment precision: ±1 or ±1
- Size: 5.1"WX3.2"HX1.0"D
- Color: Grey

### Connection Diagram



- |                                  |                                      |
|----------------------------------|--------------------------------------|
| ① ❄️ : Cooling                   | ⑥ <b>MAX / MIN</b> : Maximum/minimum |
| ② ☀️ : Heating                   | ⑦ Temperature display                |
| ③ 🌀 : Fan                        | ⑧ °E : °C / °F display               |
| ④ <b>ROOM</b> : Room temperature | ⑨ <b>FAN</b> : Fan speed             |
| ⑤ <b>SET POINT</b> : Set item    | ⑩ <b>OPER</b> : Operation            |

### Buttons'Function Instruction.....



### Function Description of Button

- (1) **ON/OFF button**  
Under OFF status, press this button to turn on the unit. Under ON status, press this button to turn off the unit, and only ambient temperature is displayed.
- (2) **Mode button**  
Under ON status, press this button can select cooling, heating or fan mode circularly. Upon energization, the defaulted status is cooling mode.
- (3) **Temperature +**  
Press this button can adjust the set temperature. Press this button for 2s successively set temperature value will change quickly until reaching the upper limit 30 °C (86 °F).
- (4) **Temperature -**  
Press this button can adjust the set temperature. Press this button for 2s successively, set temperature value will change quickly until reaching the lower limit 16 °C (61 °F).
- (5) **FAN mode**  
Press this button can select high, medium and low fan speed.
- (6) **F / C switchover**  
Under OFF status, press this button select °F or °C.