

Submittal Data: PTAC-SLEEVE-SE-INS

PTAC Standard Metal Wall Sleeve

Job Name	Location	Date
Purchaser	Engineer	
Submitted To	For	<input type="checkbox"/> Reference <input type="checkbox"/> Approval <input type="checkbox"/> Construction
Schedule No.		

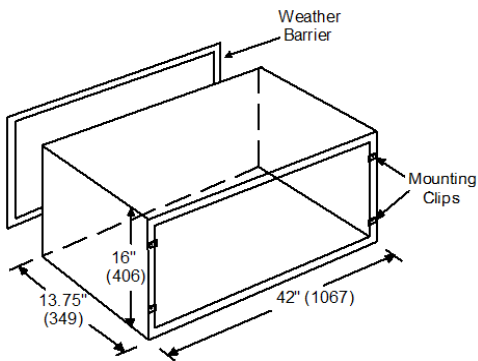
GENERAL FEATURES

- Standard 42 x 16 x 13.75-in wall sleeve.
- Lined with acoustical & thermal insulation.
- Made of heavy duty Galvanized steel.
- Powder coated paint for superior adhesion & protection.
- Exterior weather barrier included for construction phase.
- Key hole slots for easy rear grille mounting.
- Rear drainage holes on right and left sides.

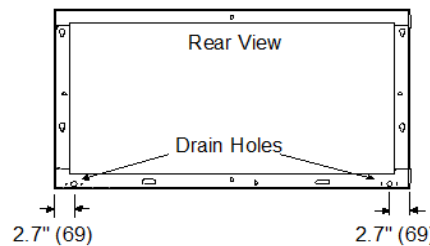


Specifications	Unit Dimensions
Material: Hot Dip Galvanized Steel	Length 42.0-in
Material Thickness*: 0.0433 to 0.0480-in	Height 16.0-in
Insulation: Dual-density Fiber Glass	Depth 13.75-in
Insulation Thickness: 0.25-in	Weight 28.0-lbs
Color: Alpine Beige	Shipping Dimensions
Finish: Lightly Textured	Length 45.5-in
Weather Barrier: Corrugated Fiberboard 275# TBST S.W. "B" Flute	Height 3.0-in
* including paint.	Depth 15.0-in
	Weight 28.5-lbs
	Pallet Qty 42 pcs

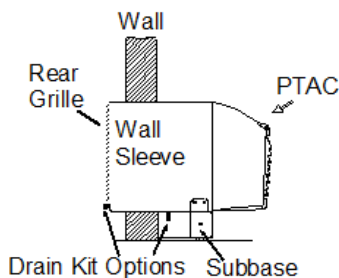
Units: Inch(mm)



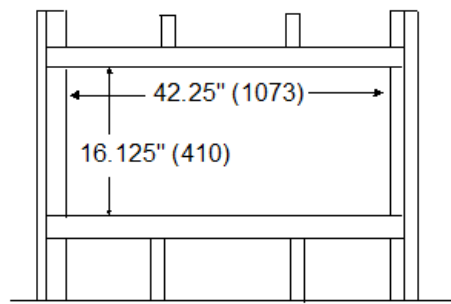
Drain Hole Locations



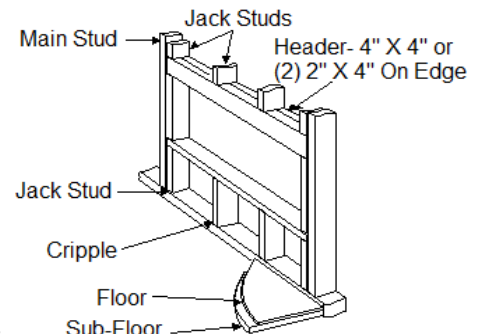
Typical PTAC Installation



Minimum Wall Sleeve Opening



Framing Wall Sleeve Opening



Specifications are subject to change without notice. Manufacturer reserves the right to discontinue or modify specifications or designs without notice or without incurring obligations. All rights reserved.