

**Submittal Data: GTH(12)BA-D3DNA1A/I 12,000 BTU/H Universal Floor/Ceiling Unit**

Job Name	Location	Date
Purchaser	Engineer	
Submitted To	For	<input type="checkbox"/> Reference <input type="checkbox"/> Approval <input type="checkbox"/> Construction
Unit Designation	Schedule No.	

**GENERAL FEATURES**

- Floor Stand or Ceiling Mount
- Quiet Operation -Multi-Speed Fan
- 1-way Discharge Air Flow
- Swing Louvers
- Wired and Wireless Remote Controllers
- 10 yr. Unlimited Parts Warranty
- Without condensate pump



**System Ratings**

<b>Cooling*</b>	
Rated Capacity	11,946 BTU/H
<b>Heating*</b>	
Rated Capacity	13,1400 BTU/H
<b>Sound Level (Hi/Lo)**</b>	
Cooling	40/36 dbA
Heating	40/36 dbA
<b>Air Flow (max)</b>	
Indoor Fan	382 CFM

**Physical Specifications**

Unit Dimensions (LxHxD)	48.0 x 27.5 x 9.0 -in 1220 x 700 x 225-mm
Weight (Net/Shipping)	88/110 LBS
Drain Size (OD)	0.67-in 17-mm

**Electrical Ratings**

<b>Fan Motor</b>	
Output Power	55 W
FLA	0.28 A
<b>Power Supply</b>	
Normal Operational Voltage	208/230 V, 1 Phase, 60 Hz
Voltage Range	187 - 253 V
MCA	1.0 A
Interconnecting Cable Wire Size	14-4 AWG

**Refrigerant Piping Data**

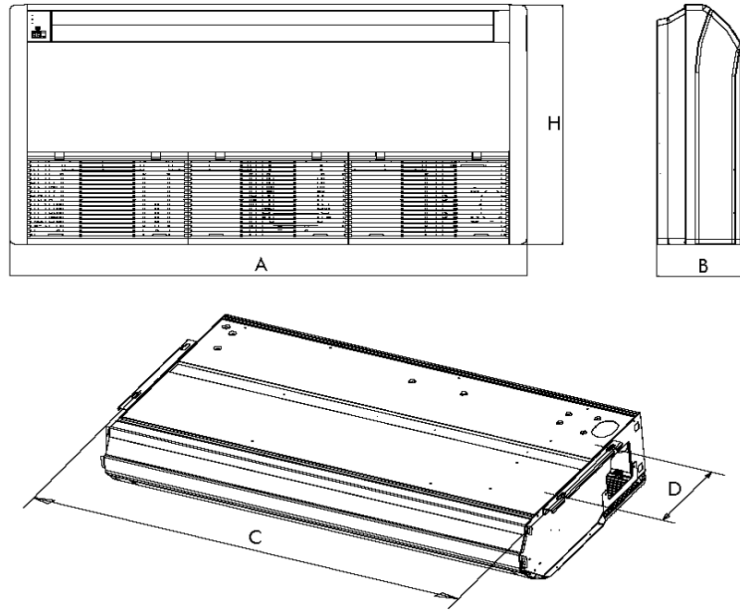
Refrigerant Type	R410A
Gas Pipe Size (OD)	3/8-in
Liquid Pipe Size (OD)	1/4-in
Connection Method	Flared

\* Test conditions are based on AHRI 210/240.  
\*\*Sound Power ratings are per AHRI 270 and AHRI 350



# DIMENSIONAL SPECIFICATIONS

## 12,000 BTUH MODEL



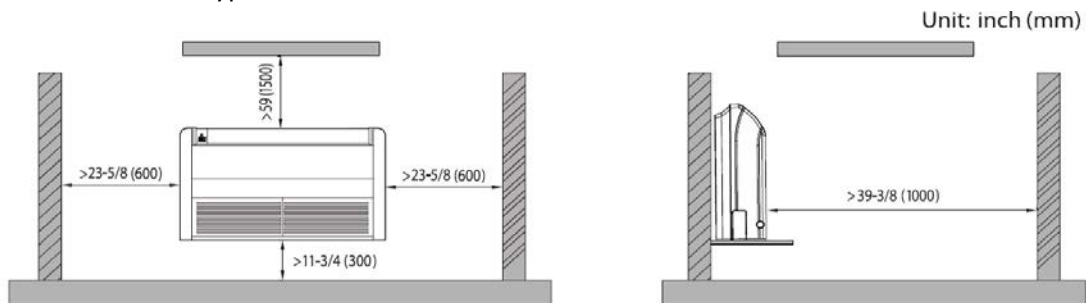
Dimensions

	A	B	C	D	H	H
(mm)	1220	225	1158	280	700	700
(inches)	48.0	8.9	45.6	11.0	27.6	27.6

Note: Size refrigerant lines based on evaporator port sizes.

# MINIMUM CLEARANCE

### ◆ Wall type



### ◆ Ceiling type



**Notes:**

1. Recommended Interconnecting Cable Type Stranded Bare Copper Conductors THHN 600V Unshielded Wire
2. Power wiring cable size must comply with applicable national and local codes.
3. Test conditions are based on AHRI 210/240.



Specifications are subject to change without notice. Manufacturer reserves the right to discontinue or modify specifications or designs without notice or without incurring obligations. All rights reserved.