

Submittal Data: GTH(09)BA-D3DNA1A/I 9,000 BTU/H Universal Floor/Ceiling Unit

Job Name Location Date

Purchaser Engineer

Submitted To For Reference Approval Construction

Unit Designation Schedule No.

GENERAL FEATURES

- Floor Stand or Ceiling Mount
- Quiet Operation -Multi-Speed Fan
- 1-way Discharge Air Flow
- Swing Louvers
- Wired and Wireless Remote Controllers
- Unlimited 10 yr. Parts Warranty
- Without condensate pump



System Ratings

Physical Specifications

Cooling*	
Rated Capacity	8,533 BTU/H
Heating*	
Rated Capacity	9,556 BTU/H
Sound Level (Hi/Lo)**	
Cooling	40/36 dbA
Heating	40/36 dbA
Air Flow (max)	
Indoor Fan	382 CFM

Unit Dimensions (LxHxD)	48.0 x 27.5 x 9.0 -in 1220 x 700 x 225-mm
Weight (Net/Shipping)	88/110 LBS
Drain Size (OD)	0.67-in 17-mm

Electrical Ratings

Refrigerant Piping Data

Fan Motor	
Output Power	55 W
FLA	0.28 A
Power Supply	
Normal Operational Voltage	208/230 V, 1 Phase, 60 Hz
Voltage Range	187 - 253 V
MCA	1.0 A
Interconnecting Cable Wire Size	14-4 AWG

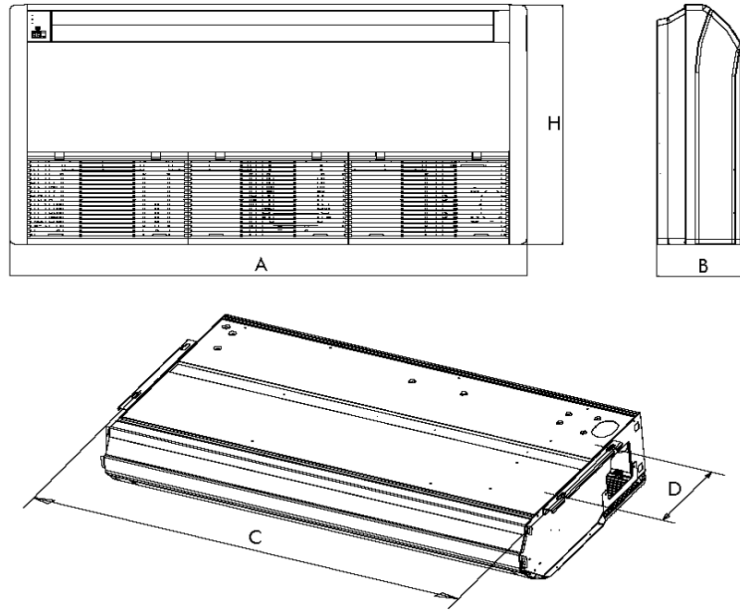
Refrigerant Type	R410A
Gas Pipe Size (OD)	3/8-in
Liquid Pipe Size (OD)	1/4-in
Connection Method	Flared

* Test conditions are based on AHRI 210/240.
**Sound Power ratings are per AHRI 270 and AHRI 350



DIMENSIONAL SPECIFICATIONS

9,000 BTUH MODEL



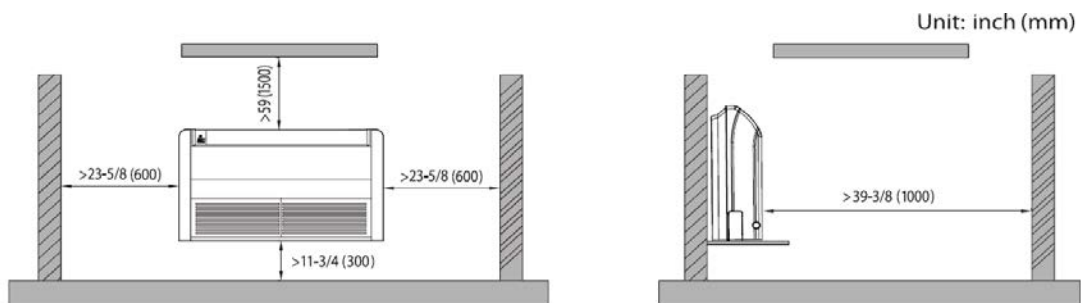
Dimensions

	A	B	C	D	H	H
(mm)	1220	225	1158	280	700	700
(inches)	48.0	8.9	45.6	11.0	27.6	27.6

Note: Size refrigerant lines based on evaporator port sizes.

MINIMUM CLEARANCE

◆ Wall type



◆ Ceiling type



Notes:

1. Recommended Interconnecting Cable Type Stranded Bare Copper Conductors THHN 600V Unshielded Wire
2. Power wiring cable size must comply with applicable national and local codes.
3. Test conditions are based on AHRI 210/240.



Specifications are subject to change without notice. Manufacturer reserves the right to discontinue or modify specifications or designs without notice or without incurring obligations. All rights reserved.